

FEATURING



Style	High Capacity
Cabinet Color (exterior/interior)	Black/White
Gross Capacity (cubic feet)	37.93
Gross Capacity (liters)	1074.1
Factory Setpoint Temperature °F	35
Factory Setpoint Temperature °C	1.7
Height (inches / cm)	78.75 / 200
Width (inches / cm)	46.5 / 118.1
Depth less handle (inches / cm)	32.97 / 83.7
Interior LED Light Strips	4
LED Translight Display	42.6" x 8.4"
Adjustable Shelves	8
Bottom Shelf	2
Casters	Yes
Volts / Hz / Phase	115 / 60 / 1
Amps	3.1
H.P. (kW)	1/4 (0.19)
Refrigerant	R290
Net Weight (lbs)	505
Net Weight (kg)	229
NEMA Configuration	5-15P
Smartlock Trigger (adjustable)	≥ 41°F (5°C)



Energy Efficiency
Certified



R290 Natural
Refrigerant

Great features. Outstanding value.



Features SMARTLOCK. A fully integrated, dual function food health and refrigeration controller.



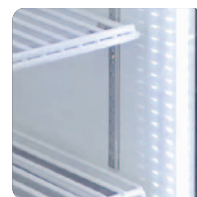
Brilliant, energy efficient LED lighting creates an impressive visual impact. Standard on all models.



Medium temperature system factory set at 35°F. The ideal temperature can be factory programmed to suit your product storage needs.



Low-maintenance condenser* helps maintain the merchandiser's performance and reduces the frequency of costly, regular cleaning.



Energy free, Low-E coated glass door for added insulation value.



Programmable Electronic Control Center provides real-time information with audible and visual alarms. Standard on all models.

SMARTLOCK HEALTH TIMER

- Constantly monitors the food storage compartment temperature to ensure it is operating correctly. If the temperature rises above the trigger point for 30 minutes, the unit automatically locks the door preventing access to potentially hazardous food. The unit can be unlocked manually for food inspection.
- The Smartlock system incorporates the reliability of an electronic control module and battery backup to ensure the system functions flawlessly even during a power outage situation.

ENERGY EFFICIENT PERFORMANCE

- Eco-friendly, efficient, self contained R290 refrigeration system delivers setpoint temperatures from 35°F to 37°F depending on your requirements.
- Frost free, forced air system for quick, even cooling with user defined or temperature sensed defrost cycles.
- External front mounted electronic microprocessor controller for precise, efficient temperature management. Features continuous digital temperature display, adjustable temperature setpoint, audible and visual temperature alarm, audible and visual door open alarm.
- Low-maintenance condenser* helps maintain the merchandiser's performance and reduces the frequency of costly, regular cleaning.
- Bottom mount condensing unit provides elevated merchandising visibility keeping products within easy reach.
- High efficiency fan motors reduce energy consumption and maintain optimum air circulation for consistent cabinet temperature.

DURABLE CABINET CONSTRUCTION

- Tough, exterior finish provides long lasting durability to help keep the product looking like new even after years of service.
- 2½" thick walls with high density, foamed in place closed cell insulation for temperature and energy efficiency.
- Bright white galvanized interior walls with baked on finish for a clean look that supports product illumination and provides the perfect backdrop.

- Spacious condenser housing provides superior heat dispersion and air circulation.
- Smooth interior corners for easy cleaning.
- Low profile casters and front levelling legs for easy installation.

CLEAR VIEW GLASS DOORS

- Energy free, Low-E coated, insulated safety glass doors help keep the cold inside.
- Snap-in, one piece, self sealing door gaskets make cleaning trouble-free.
- Self closing torsion bar system helps prevent the door from being left open. The torsion bar is more durable, reliable and rust resistant than spring loaded systems.
- Ergonomic 18" satin crescent handles.


BRILLIANT CABINET LIGHTING

- Cabinet interior features four (4) full height, high intensity, energy efficient white LED light strips to showcase merchandise and eliminate bulb replacement.
- Captivating LED backlit translight display features two (2) full width white LED light strips.

STURDY CABINET SHELVEING

- Eight (8) coated adjustable shelves resist rust and can be adjusted in 1/2" increments.
- Two (2) coated bottom shelves.

ELECTRICAL REQUIREMENTS

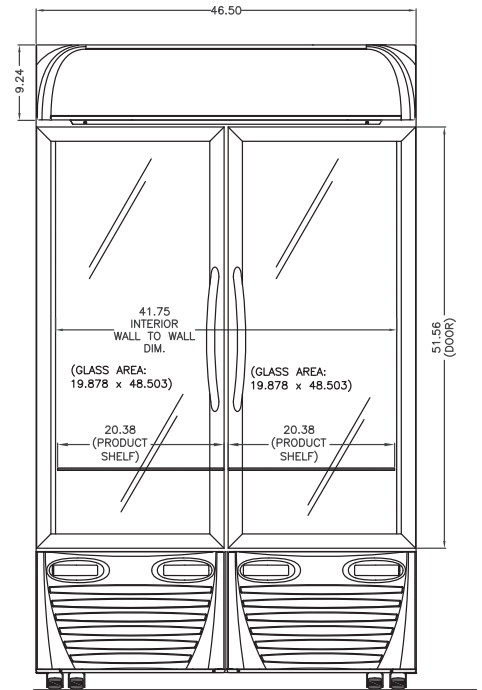
- Unit includes cord and plug.
- Dedicated 15 amp grounded 115V 60Hz single phase circuit. 
- NEMA 5-15P three prong 15 amp receptacle.

WARRANTY & CUSTOMER CARE

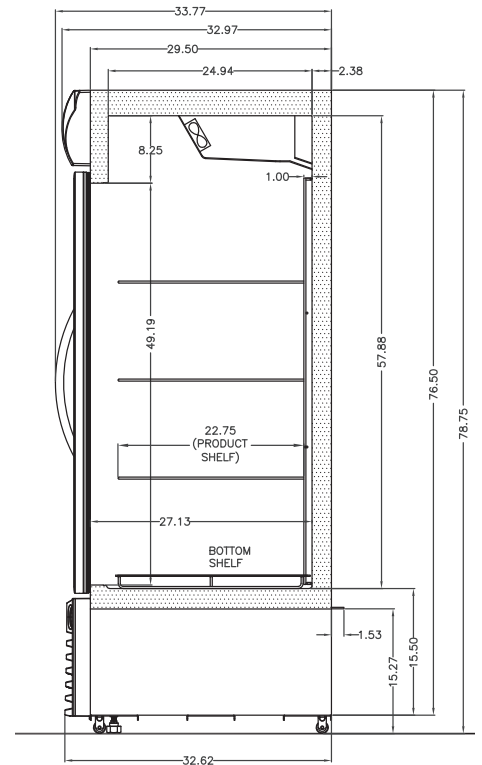
- One (1) year parts and labor. Additional four (4) years on compressor.
- 24/7 Customer Care support and a network of certified licensed technicians to respond to any refrigeration issue.

PRODUCT DIMENSIONS

FRONT VIEW



SIDE VIEW



ACCESSORIES FOR BRANDING, PROMOTION, CUSTOMIZING PACKOUT



Wire Baskets and Dividers



Clear, Hinged Menu / Price Strips



Custom Graphics

*Regular condenser cleaning and maintenance not required under normal operating conditions. Some exceptions may apply. Contact Minus Forty for more information.

Warranty is a limited warranty, please refer to detailed warranty outline available from our Customer Care Department. Specifications are subject to change without notice. Weights and dimensions do not include packaging or shipping materials.

All Minus Forty® refrigerators are energy efficiency certified to USA DOE standards for Commercial Refrigerator class.

Minus Forty Technologies, 30 Armstrong Ave. Georgetown, Ontario Canada L7G 4R9

TEL 800.800.5706 • 905.702.1441 • FAX 905.702.1442 • DUENORTH.com

© Minus Forty Technologies. All Rights Reserved. Minus Forty® is a registered trademark of Minus Forty Technologies.



Certified to Energy Standards:
U.S. Department of Energy (DOE)
California Energy Commission.
Natural Resources Canada (Nrcan)