

# High Visibility, 24" Deep Medium Temperature Glass Door Merchandiser

Style	Slim High Visibility
Cabinet Color (exterior/interior)	Black/Black
Gross Capacity (cubic feet)	15.32
Gross Capacity (liters)	433.8
Factory Setpoint Temperature °F	35
Factory Setpoint Temperature °C	1.7
Height (inches / cm)	54 / 137
Width (inches / cm)	46.5 / 118.1
Depth less handle (inches / cm)	24 / 61
High Visibility Glass Doors	2
Color Match Ergonomic Handles	2
Interior LED Light Strips	3
Cantilever Shelves	8
Casters	Yes
Volts / Hz / Phase	115 / 60 / 1
Amps	1.8
H.P. ( kW )	1/6 (0.12)
Refrigerant	R290
Net Weight (lbs)	310
Net Weight (kg)	140.6
NEMA Configuration	5-15P

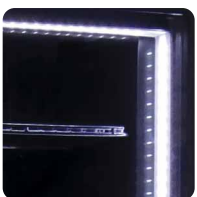


Energy Efficiency  
Certified



R290 Natural  
Refrigerant

Great features. Outstanding value.



Brilliant, energy efficient LED lighting creates an impressive visual impact. Standard on all models.



Cantilever wire shelves and pillarless interior provide unobstructed access to products.



Medium temperature system factory set at 35°F. The ideal temperature can be factory programmed to suit your product storage needs.



Low-maintenance condenser\* helps maintain the merchandiser's performance and reduces the frequency of costly, regular cleaning.



Energy free, Low-E coated glass door for added insulation value.



Programmable Electronic Control Center provides real-time information with audible and visual alarms. Standard on all models.

### ENERGY EFFICIENT PERFORMANCE

- Eco-friendly, efficient, self contained R290 refrigeration system delivers setpoint temperatures from 35°F to 45°F depending on your requirements.
- Frost free, forced air system for quick, even cooling.
- External front mounted electronic microprocessor controller for precise, efficient temperature management. Features continuous digital temperature display, adjustable temperature setpoint, audible and visual temperature alarm, audible and visual door open alarm.
- Low-maintenance condenser\* helps maintain the merchandiser's performance and reduces the frequency of costly, regular cleaning.
- Bottom mount cassette condensing unit provides elevated merchandising visibility keeping products within easy reach.
- High efficiency fan motors reduce energy consumption and maintain optimum air circulation for consistent cabinet temperature.

### DURABLE CABINET CONSTRUCTION

- Tough, exterior finish provides long lasting durability to help keep the product looking like new even after years of service.
- 2½" thick walls with high density, foamed in place closed cell insulation for temperature and energy efficiency.
- Black galvanized interior walls with baked on finish that supports product illumination and provides the perfect contrasting backdrop.
- Spacious condenser housing provides superior heat dispersion and air circulation.
- Smooth interior corners for easy cleaning.
- Low profile casters and front levelling legs for easy installation. Available with optional 6 inch appliance legs.

### HIGH VISIBILITY GLASS DOORS

- Narrow frame, high visibility doors and pillarless interior provide enhanced product visibility.
- Energy free, double pane, Low-E coated, insulated safety glass doors help keep the cold inside.
- Snap-in, one piece, self sealing door gaskets makes cleaning trouble-free.
- Self closing torsion bar doors help prevent the door from being left open. The torsion bar system is more durable, reliable and rust resistant than spring loaded systems.

- Color match, ergonomic, 18" aluminum crescent handles.

### BRILLIANT CABINET LIGHTING

- Cabinet interior features three (3) high intensity, energy efficient white LED light strips to showcase merchandise and eliminate bulb replacement.

### STURDY CANTILEVER CABINET SHELVING

- Eight (8) coated, adjustable black shelves resist rust and can be adjusted in 1" increments.
- One (1) full width black bottom shelf.

### ELECTRICAL REQUIREMENTS

- Unit includes cord and plug.
- Dedicated 15 amp grounded 115V 60Hz single phase circuit.
- NEMA 5-15P three prong 15 amp receptacle.

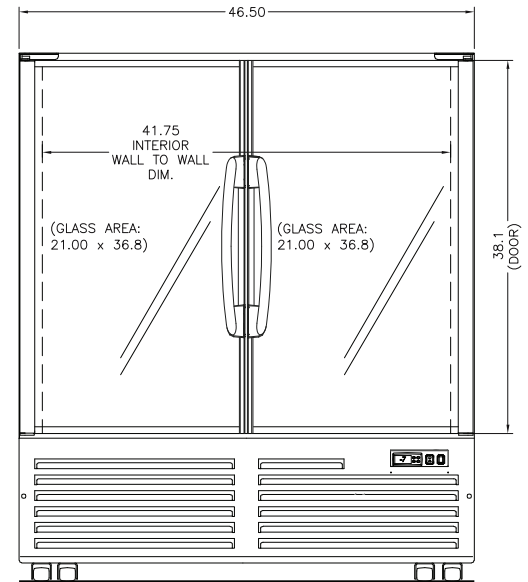


### WARRANTY & CUSTOMER CARE

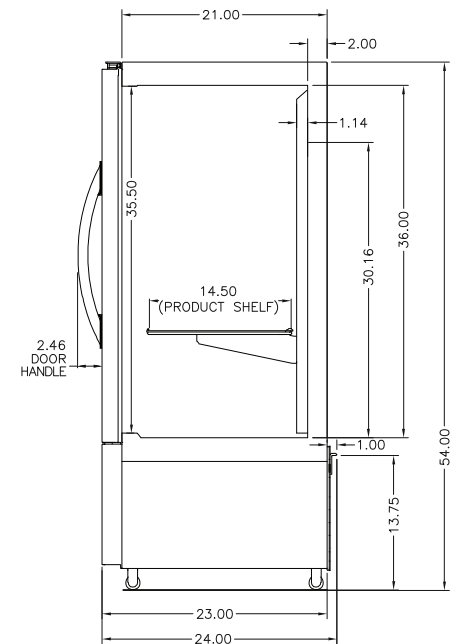
- One (1) year parts and labor. Additional four (4) years on compressor.
- 24/7 Customer Care support and a network of certified licensed technicians to respond to any refrigeration issue.

### PRODUCT DIMENSIONS

#### FRONT VIEW



#### SIDE VIEW



### ACCESSORIES FOR BRANDING, PROMOTION, CUSTOMIZING PACKOUT



Additional Cantilever Shelves



Clear, Hinged Menu / Price Strips



Custom Graphics

\*Regular condenser cleaning and maintenance not required under normal operating conditions. Some exceptions may apply. Contact Minus Forty for more information.

Warranty is a limited warranty, please refer to detailed warranty outline available from our Customer Care Department. Specifications are subject to change without notice. Weights and dimensions do not include packaging or shipping materials.

All Minus Forty® refrigerators are energy efficiency certified to USA DOE standards for Commercial Refrigerator class.