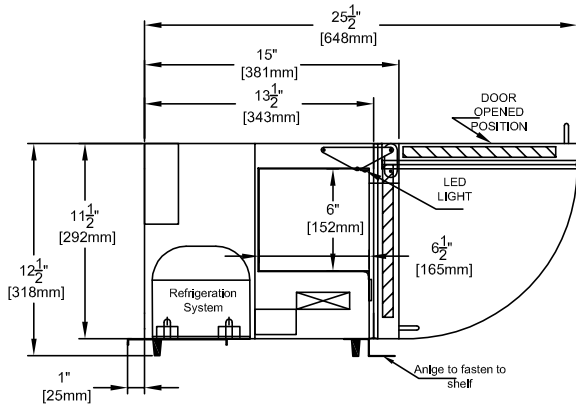


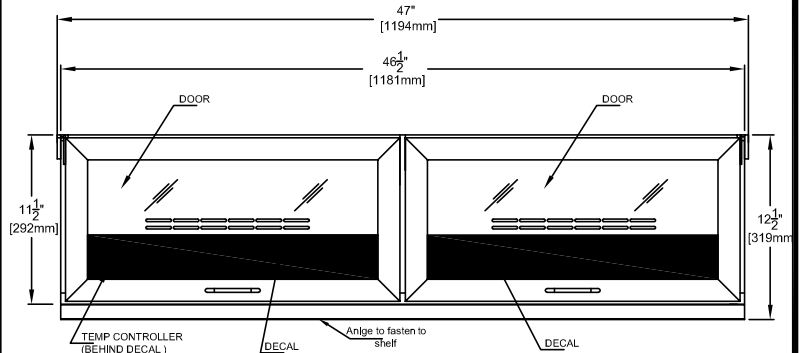
PROJECT:	QTY:	ITEM No.
----------	------	----------

CTC 4713

Counter Top Cooler

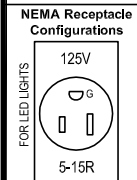


SIDE VIEW
WINDOW 90° OPEN



FRONT VIEW

* ALL DIMENSIONS ARE ± 1/8"



NOTES

* HIGH TEMP ALARM : AUDIBLE & DISPLAY
 * QBD WARRANTY DOES NOT INCLUDE PRODUCT LOSS OR CONSEQUENTIAL DAMAGES HOWEVER CAUSED.
 Please review detailed warranty statement prior to purchase.

SPECIFICATIONS

LENGTH (IN)	DEPTH (IN)	HEIGHT (IN)	WEIGHT WITH PACKAGING (LBS)	VOLTAGE	TEMP RANGE	AMPERES (Comp. & LED LIGHT)	POWER CORD
47"	15"	12.5"	106	120	2 °C to 6 °C	1.5	10 FT



QBD MODULAR SYSTEMS INC.
 31 BRAMSTEELE ROAD, BRAMPTON, ONTARIO, CANADA L6W 3K6
WWW.QBD.COM
 Manufacturers of food service displays

1-800-663-3005
 TEL: (905) 459-0709
 FAX: (905) 459-1478
info@qbd.com

DR. BY:	SLAD
DATE:	AUG 27, 2018
FILE:	CTC4713